

Dragonfly™ – DEV Kit

A Quick User Guide



Contents

Page

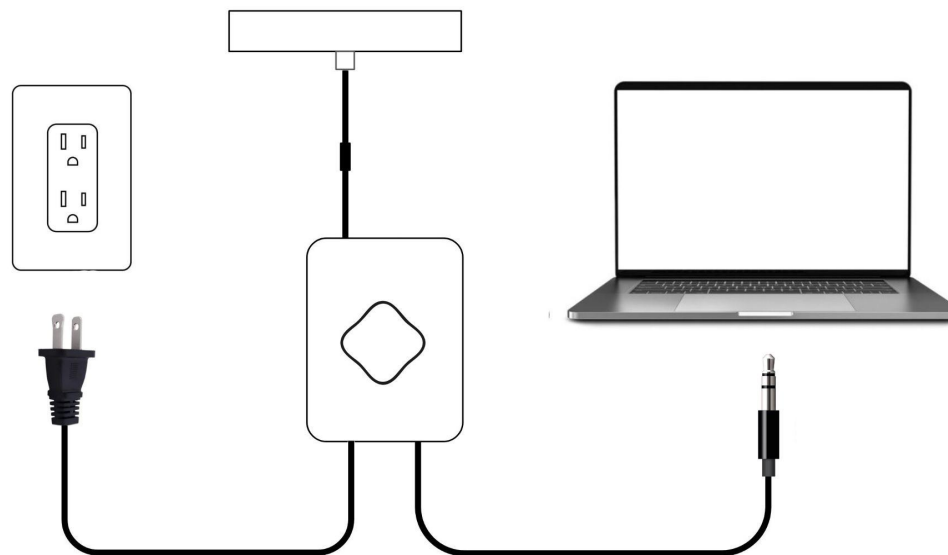
1. Introduction	2
2. Hardware setup	2
3. General precautions	3
4. Specifications	3
5. Appendix	4

1. Introduction

Dragonfly™ is the world's first full-range piezo speaker that features a frequency range from 60 to 20 kHz. Designed to deliver exceptional audio performance, the Dragonfly development kit provides a hassle-free and immersive experience right out of the box. The kit includes:

- 1 x Audio amplifier with pre-connected power, audio input, output cables
- 1 x Dragonfly™ DRA10022-S2
- 1 x Dragonfly™ DRA10022-S4

2. Hardware setup



Setting up the Dragonfly™ DEV kit is a breeze with these simple steps:

- Step 1: Connect the Dragonfly™ to the amplifier. Remove the liner on the double-sided tape of the piezo speaker. Attach the speaker to a panel, such as a piece of cardboard, for stability.

- Step 2: Connect the 3.5mm audio jack from the kit to your laptop. Take care to lower the volume level on your laptop to 20% or below to avoid any sudden loud sounds.
- Step 3: Plug the power cable into a 120VAC electrical outlet. It's important to note that this DEV kit is not compatible with 220VAC outlets. If you require a custom 220V version, please reach out to us at contact@flora.tech.

You're now ready to experience the capabilities of the Dragonfly speaker! Play your audio tracks on the laptop and adjust the volume level to explore its full potential.

3. General precautions

For your safety and to prevent any potential damage to the equipment, please take note of the following guidelines:

- **Amplifier Repair:** To ensure your safety, please refrain from opening or attempting to repair the amplifier yourself. It contains high voltages that can cause electric shock. If you encounter any issues with the kit, please contact us for assistance.
- **Protection against Moisture:** To prevent electric shock or damage to the amplifier, it is crucial to keep the kit away from moisture. Avoid exposing it to water or any liquids. In the event that the kit comes into contact with moisture, immediately unplug the power cable and ensure the amplifier is completely dry before operating it again.
- **Speaker Electrode:** To avoid the risk of electric shock, refrain from touching the electrode on the speaker while it is in operation. Exercise caution and handle the kit with care.

4. Specifications

	Unit	Value
Input voltage	V (AC)	120V, 60Hz
AMP power	W	200
Max output voltage	V	65V
Amplifier class		D
Amplifier IC		IRS2092
Operating temperature	C	-20 to 45C

5. Appendix

Reference circuit diaphragm

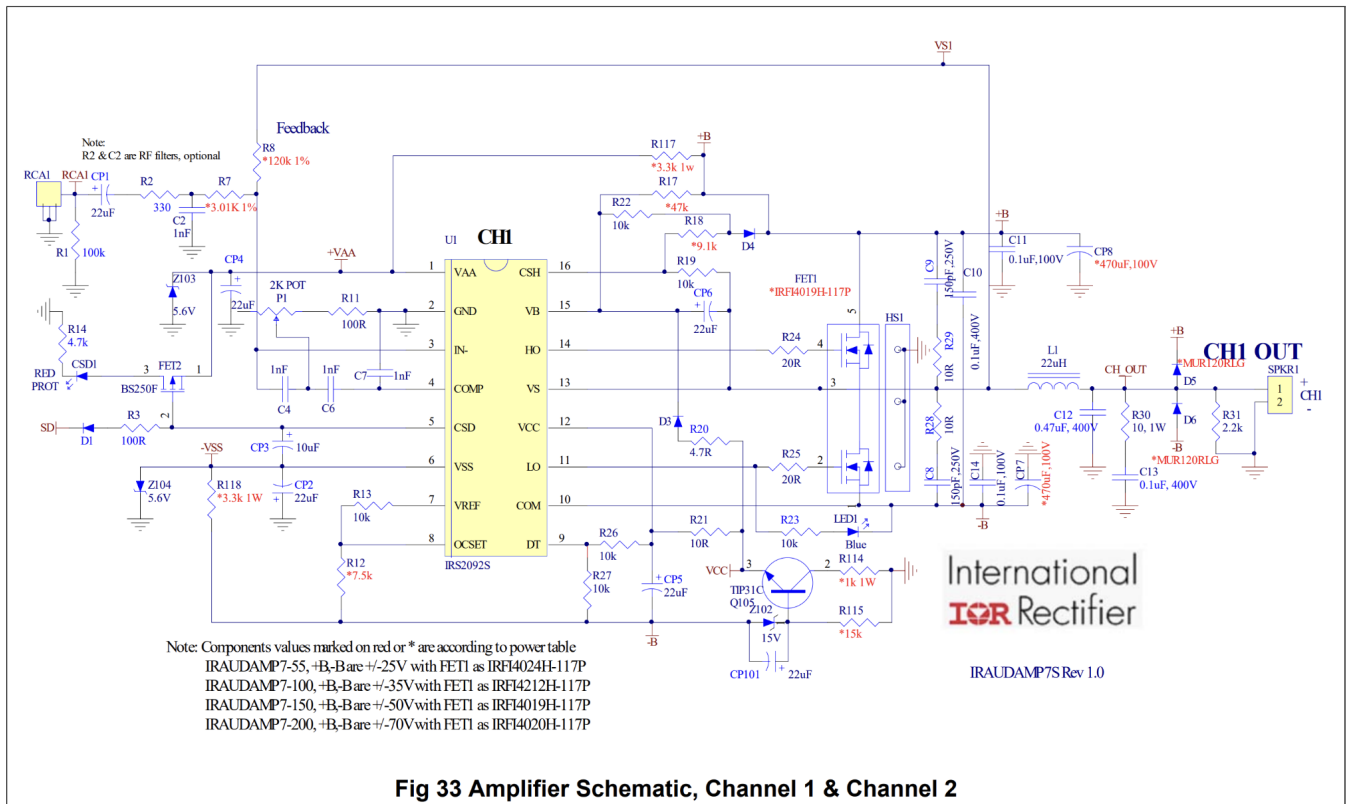


Fig 33 Amplifier Schematic, Channel 1 & Channel 2

Copyright © Flora Innovation Inc. 2023.
 All rights reserved. Subject to change without notice.
 For more information, please visit <https://flora.tech/dragonfly/>